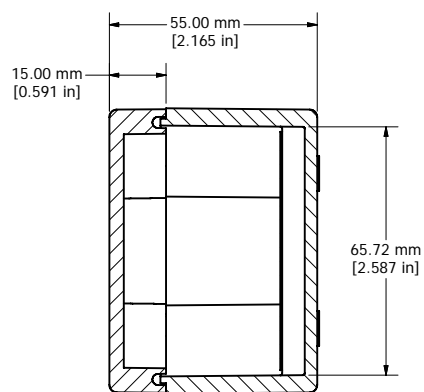
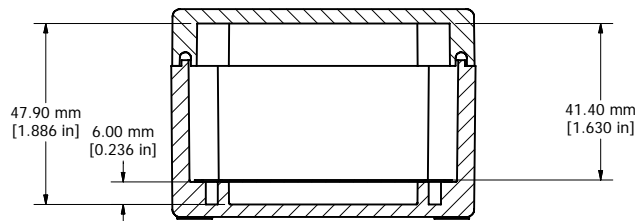
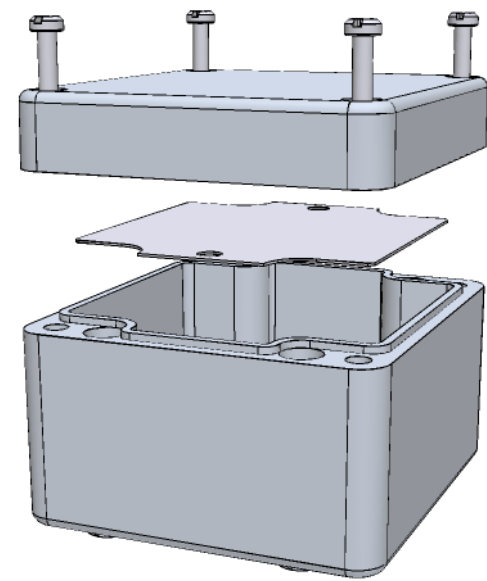


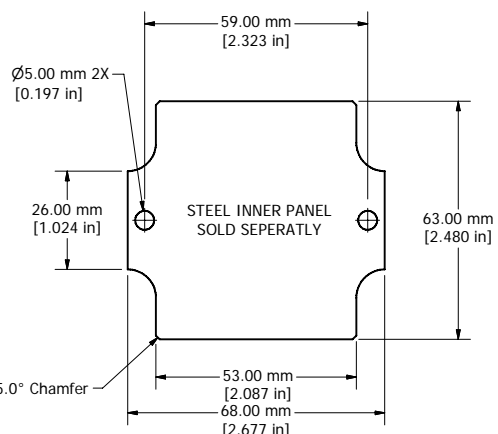
ASSEMBLY



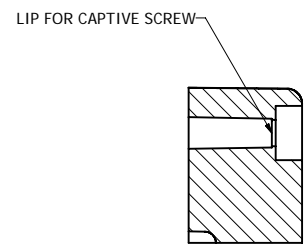
SECTION A-A



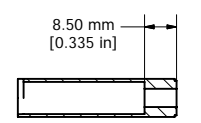
SECTION B-B



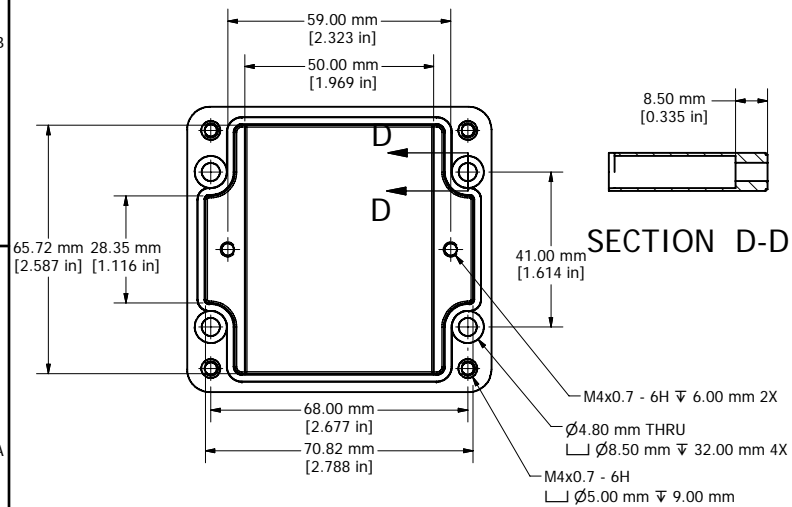
INNER PANEL



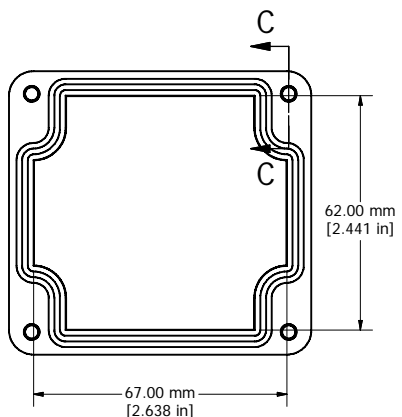
SECTION C-C



SECTION D-D



BOX - INSIDE



LID - INSIDE



File #E65324
NEMA 4, 4X

FIBERGLASS ENCLOSURE	
INCLUDES	
1	ENCLOSURE
4	M4 x 25mm PAN HEAD SCREWS
ACCESSORIES	
STEEL INNER PANEL	1590ZGRP081PL

